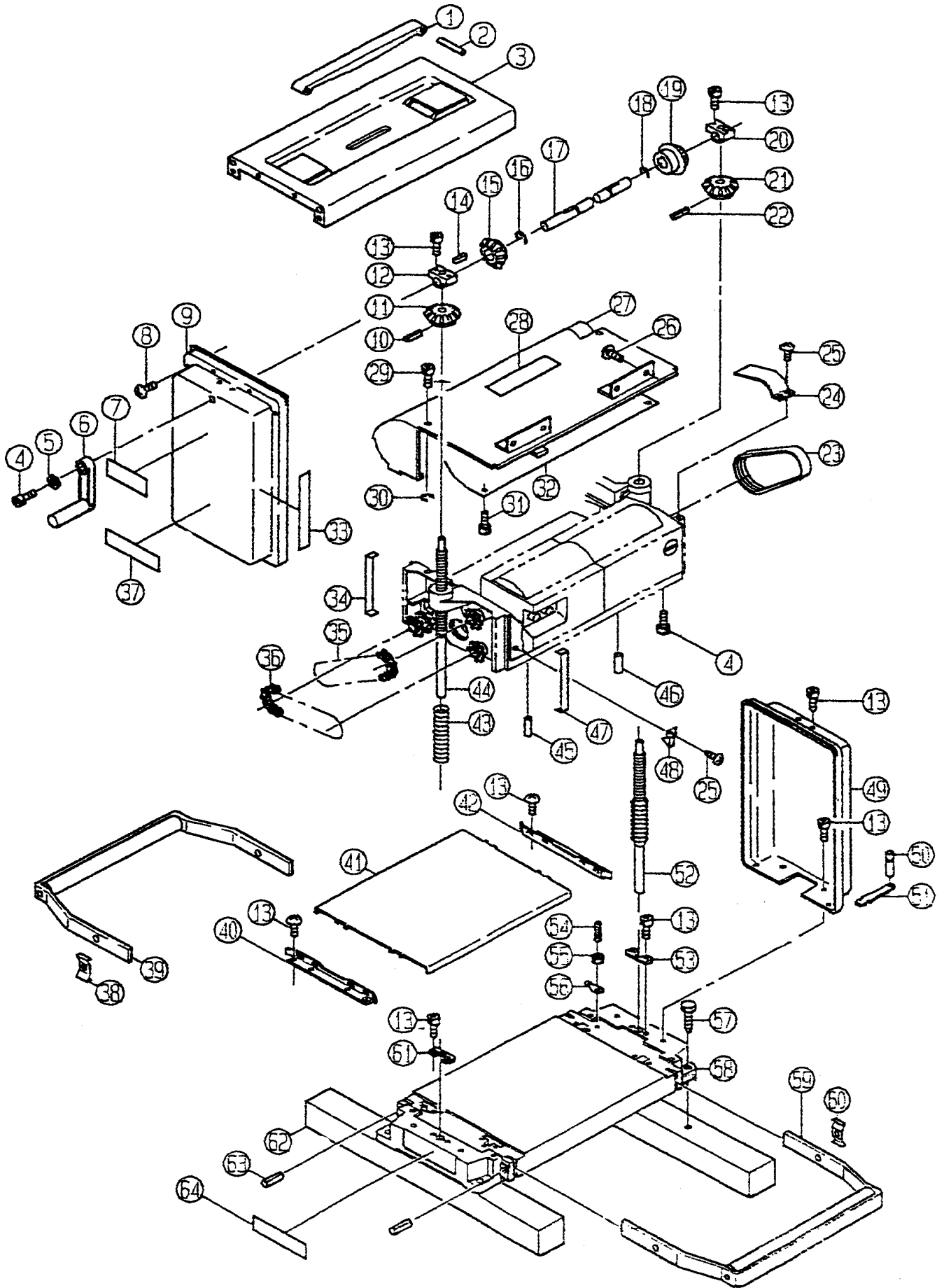
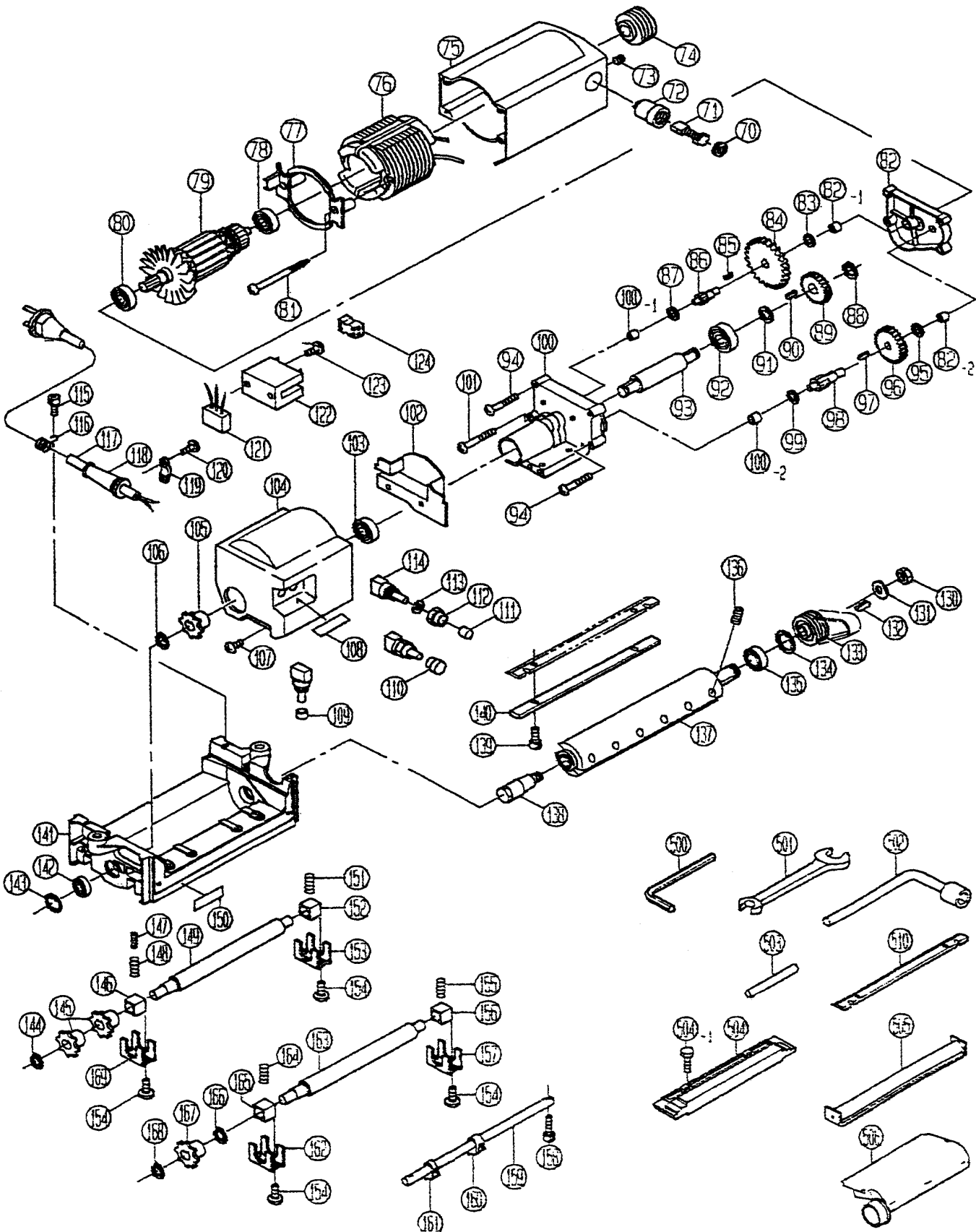


# MODEL AP-10N PLANER



# MODEL AP-10N PLANER



# MODEL AP-10N PLANER

ITEM NO	PART NO	DESCRIPTION	PRICE
1	6831097	AUX. HANDLE	3.04
2	9405045	SPRING PIN 5 X 45	0.39
3	6151418	COVER	15.37
4	9220620	HEX. SOCKET HEAD BOLT M6 X 20	0.35
5	9550600	SPRING WASHER M6	0.07
6	6080198	CRANK HANDLE	6.82
7	6922153	LABEL	1.17
8	9040510	TAPPING SCREW (S) M5 X 10	0.09
9	6151430	COVER	16.68
10	9404025	SPRING PIN 4 X 25	0.12
11	6200324	BEVEL GEAR	3.04
12	6330038	HOLDER	3.00
13	9220610	HEX. SOCKET HEAD BOLT M6 X 10	0.07
14	6100231	PARALLEL KEY 4 X 4 X 14	0.66
15	6200321	BEVEL GEAR	2.25
16	9501200	RETAINING RING E-12	0.12
17	6100290	HANDLE SHAFT	12.80
18	9501200	RETAINING RING E-12	0.12
19	6200321	BEVEL GEAR	2.25
20	6330038	HOLDER	3.00
21	6200324	BEVEL GEAR	3.04
22	9404025	SPRING PIN 4 X 25	0.12
23	6860053	POLY V-BELT 135-J6	9.71
24	6880604	BELT COVER	1.22
25	9040410	TAPPING SCREW (S) M4 X 10	0.07
26	9060510	TAPPING SCREW (B) M5 X 10	0.07
27	6151441	DUST COVER	24.29
28	6922152	INDICATION LABEL	1.21
29	6130505	HEX. SOCKET HEAD BOLT M5 X 10	0.77
30	9500400	RETAINING RING E-4	0.09
31	9220510	HEX. SOCKET HEAD BOLT M5 X 10	0.42
32	6880617	DUST COVER	6.94
33	6920564	SCALE	1.82
34	6151460	SPACER	1.01
35	6860119	CHAIN	3.23
36	6860119	CHAIN	3.23
37	6921755	"RYOBI" MARK	1.09
38	6180245	PLATE SPRING	1.45
39	6080191	SUPPORTING ROLLER	24.88
40	6151410	GUIDE PLATE	1.32
41	6151461	SLIDE PLATE	22.28
42	6151410	GUIDE PLATE	1.32
43	6180238	COMPRESSION SPRING	1.82
44	6130503	FEED SCREW	7.51
45	6120160	PARALLEL PIN	1.07
46	6120161	PARALLEL PIN	1.03
47	6151460	SPACER	1.01
48	6950101	SCALE ARROW	1.64
49	6151425	COVER	15.48
50	6120162	STOPPER PIN	1.11

# MODEL AP-10N PLANER

ITEM NO	PART NO	DESCRIPTION		PRICE
51	6370236	HOLDER		1.11
52	6130504	FEED SCREW		7.51
53	6151451	SET PLATE		1.62
54	9280620	CLAMP SCREW M6 X 20		0.12
55	9300600	HEX. NUT M6		0.07
56	9550600	SPRING WASHER M6		0.07
57	6130736	WOOD SCREW 8 X 50		0.66
58	6850268	BASE		63.88
59	6080191	SUPPORTING ROLLER		24.88
60	6180245	PLATE SPRING		1.45
61	6151451	SET PLATE		1.62
62	6390113	STOCK		4.70
63	9406020	SPRING PIN 6 X 20		0.16
64	6915163	NAME PLATE 110V		0.88
	6915162	NAME PLATE 230V		0.88
70	6570107	BRUSH CAP		0.71
71	6540063	CARBON BRUSH 613GH	110V	2.93
	6540053	CARBON BRUSH 613AA	240V	2.64
72	6570112	BRUSH HOLDER		2.68
73	9280508	CLAMP SCREW M5 X 8		0.09
74	6860113	PULLEY		3.08
75	6801273	MOTOR HOUSING		19.62
76	6502181	FIELD COIL 110V.115V.120V PB		29.47
	6502182	FIELD COIL 220V.230V.240V PB		30.29
77	6490279	FAN CASING		1.51
78	9846201	BALL BEARING #6201LLB		7.40
79	6033503	ARMATURE 110V.115V.120V PB		58.67
	6033504	ARMATURE 220V.230V.240V PB		58.82
80	9846200	BALL BEARING #6200LLB		6.87
82	6080194	INNER COVER		7.43
82-1	6760007	OILLESS METAL 8 X 11 X 10		0.81
82-2	6760046	OILLESS METAL 6 X 9 X 8		0.65
83	6900284	THRUST WASHER 8.1 X 12 X 0.5		0.19
84	6200304	FINAL GEAR		13.64
85	6100226	PARALLEL KEY 4 X 4 X 10		0.63
86	6200307	PINION GEAR		8.18
87	6900284	THRUST WASHER 8.1 X 12 X 0.5		0.19
88	9511500	RETAINING RING S-15		0.50
89	6200305	FINAL GEAR		8.68
90	6100226	PARALLEL KEY 4 X 4 X 10		0.63
91	6900382	THRUST WASHER 15.2 X 23 X 0.5		0.21
92	9846202	BALL BEARING #6202LLB		4.62
93	6110136	GEAR SHAFT		9.61
94	9060550	TAPPING SCREW (B) M5 X 50		0.21
95	6900103	WASHER 6 X 13 X 0.5		0.17
96	6200303	FINAL GEAR		8.90
97	6100084	PARALLEL KEY 3 X 3 X 5.8		0.65
98	6200306	PINION GEAR		8.02
99	6900103	WASHER 6 X 13 X 0.5		0.17
100	6080199	GEAR CASE		14.16

# MODEL AP-10N PLANER

ITEM NO	PART NO	DESCRIPTION		PRICE
100-1	6760007	OILLESS METAL 8 X 11 X 10		0.81
100-2	6760046	OILLESS METAL 6 X 9 X 8		0.65
101	9060560	TAPPING SCREW (B) M5 X 60		0.26
102	6880608	SWITCH COVER		1.51
103	9846002	BALL BEARING #6002LLB		5.17
104	6880616	SWITCH CASE		9.15
105	6860086	CHAIN SPROCKET		3.69
106	9511500	RETAINING RING S-15		0.50
107	9040412	TAPPING SCREW (S) M4 X 12		0.09
108	6920553	LABEL		0.98
109	6360216	BUTTON "RED"		1.28
110	6360213	BUTTON "OFF"		1.23
111	6360215	BUTTON "BLACK"		1.28
112	6360214	SWITCH GUARD		1.07
113	6900480	WASHER 6.5 X 16 X 1		0.48
114	6550085	PUSH BUTTON SWITCH MPE-106F		12.06
115	9220610	HEX. SOCKET HEAD BOLT M6 X 10		0.07
116	6180244	CORD STAND		3.06
117	6520039	POWER CORD 1.5 X 2 X 4	110V	16.93
	6520571	POWER CORD 1 X 2 X 2.5	240V	13.98
118	6560052	CORD HOLDER 10		0.78
119	6560067	CORD CLAMP 11.1		0.51
120	9060416	TAPPING SCREW (B) M4 X 16		0.12
121	6550551	CONDENSER 0.1 + 0.0047 X 2MF		5.67
122	6590235	RELAY 110V		30.79
	6590233	RELAY 220V.230V.240V		30.79
123	9060412	TAPPING SCREW (B) M4 X 12		0.14
124	6590129	CONNECTOR BLOCK		0.97
130	6130502	HEX. NUT		1.49
131	6900478	CONICAL SPRING WASHER		1.13
132	6100231	PARALLEL KEY 4 X 4 X 14		0.66
133	6860112	PULLEY (L)		3.29
134	9524000	RETAINING RING R-40		0.65
135	9846203	BALL BEARING #6203LLB		7.11
136	9280620	CLAMP SCREW M6 X 20		0.12
137	6940408	CUTTER BLOCK		109.09
138	6100291	CUTTER SHAFT		14.52
139	9220305	HEX. SOCKET HEAD BOLT M3 X 5		0.09
140	6940403	BLADE BINDER		16.13
141	6330050	ROLLER CASE		65.79
142	9846202	BALL BEARING #6202LLB		4.62
143	9523500	RETAINING RING R-35		0.71
144	9511500	RETAINING RING S-15		0.50
145	6860086	CHAIN SPROCKET		3.69
146	6760107	STRAIGHT METAL		1.78
147	6180241	COMPRESSION SPRING		1.13
148	6180240	COMPRESSION SPRING		0.98
149	6860118	FEED ROLLER		55.17
150	6922152	INDICATION LABEL		1.21
151	6180240	COMPRESSION SPRING		0.98

# MODEL AP-10N PLANER

ITEM NO	PART NO	DESCRIPTION		PRICE
152	6760107	STRAIGHT METAL		1.78
153	6151456	METAL COVER		1.45
154	9040512	TAPPING SCREW (S) M5 X 12		0.09
155	6180240	COMPRESSION SPRING		0.98
156	6760107	STRAIGHT METAL		1.78
157	6151457	METAL COVER		1.54
158	9220516	HEX. SOCKET HEAD BOLT M5 X 16		0.10
159	6100292	KICKBACK SHAFT		3.96
160	6151470	BRACKET		2.24
161	6151467	BRACKET		1.94
162	6151457	METAL COVER		1.54
163	6860118	FEED ROLLER		55.17
164	6180240	COMPRESSION SPRING		0.98
165	6760107	STRAIGHT METAL		1.78
166	9511500	RETAINING RING S-15		0.50
167	6860086	CHAIN SPROCKET		3.69
168	9511500	RETAINING RING S-15		0.50
169	6151456	METAL COVER		1.45
-	9691030	CONTRACTION TUBE 3 (1M)		2.16
-	6560002	CONNECTOR 2-SD		0.19
-	6560003	CONNECTOR 5.5-SD	110V	0.21
-	6560007	TERMINAL 1.25-5		0.13
-	6560038	SLEEVE COVER		0.15
-	6560064	FASTEN SLEEVE		0.26
-	9670005	LEAD WIRE 0.50TR (1M)		0.67
-	9673005	LEAD WIRE 0.50BK (1M)		0.67
-	9673007	LEAD WIRE 0.75BK (1M)	240V	0.71
-	9673012	LEAD WIRE 1.25BK (1M)	110V	0.69
		<b>STANDARD ACCESSORIES</b>		
500	6241143	HEX. KEY WRENCH 2.5		0.48
	6241083	HEX. KEY WRENCH 4		0.59
	6241093	HEX. KEY WRENCH 5		0.86
501	6240113	OPEN-END WRENCH 10 X 13		1.77
502	6240803	"L" TYPE WRENCH 3-120		2.59
503	6120158	LOCK PIN 5 X 70		1.15
504	6072563	SHARPENING HOLDER		8.27
504-1	9060510	TAPPING SCREW (B) M5 X 10		0.07
505	6072443	AUX. ROLLER		12.51
510	6660433	HSS PLANER BLADE 254MM (10")		49.50
		<b>ACCESSORIES</b>		
506	6071813	50MM (2") DUST COVER		25.17
	6071823	63MM (2-1/2) DUST COVER		30.86